



FEATURES

- **Designed for commercial land-based monitoring of sea traffic**
- **Multiple devices linked as a monitoring network and forward data for centralised processing**
- **WiFi and Ethernet network connectivity**
- **Built-in Microcomputer for on-board data processing**
- **Industry Grade Dual Channel AIS Receiver and GPS Receiver**
- **Built-in HDMI port for a Display Monitor**
- **4 Built-in USB ports for local monitoring**
- **Ideal for feeding vessel tracking data to a website or a vessel monitoring server**
- **Built-in micro-SD card slot for storing the OS and supporting software**
- **Logging data on internal storage when no network connection is available**

RELATED PRODUCTS

[R500Ni](#) - Intelligent Network AIS receiver with WiFi

[G300Ni](#) - Intelligent Network GPS receiver with WiFi

[AG100](#) – GPS Antenna

[AV300](#) – Fibreglass Antenna with Universal Base

[AV400](#) - Commercial Antenna for AIS

RECEIVERS

R500NGi INTELLIGENT AIS & GPS RECEIVER WITH WIFI

SKU: 001-1049

[View Online >](#)

OVERVIEW

The R500NGi is a powerful and flexible AIS & GPS receiver with WiFi, interfaced to a ARMv8 microcomputer. Designed for coastal monitoring applications, the R500NGi is capable of filtering, processing and forwarding AIS and GPS data across a network, and be locally monitored by installing compatible chart plotting software on the device.

The unit has both WiFi and Ethernet connectivity, as well as 4 USB ports and an HDMI connector for a monitor display. What makes the R500NGi different from other receivers is that it can be deployed in any AIS network using proprietary software specific to that network and is shipped without software installed as a development platform. Comar also offers bespoke data management solutions as optional extras.

The R500NGi is designed for use by the commercial market and uses Comar's well proven and internationally specified high sensitivity dual channel parallel AIS receiver and commercial grade GPS receiver.

The R500NGi from Comar Systems: Quite possibly the most versatile AIS & GPS receiver available today.

APPLICATIONS

- Local shoreside and remote networked monitoring
- Managing traffic at local port approaches
- Assisting in Search and Rescue operations
- Locating ships for local tug/supply operators or security operations
- Analysing shipping in specific areas
- Monitoring fishing zones
- Feeding data to AIS vessel tracking websites
- Remote monitoring of valuable mobile assets.

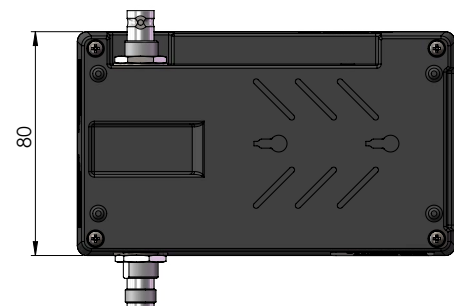
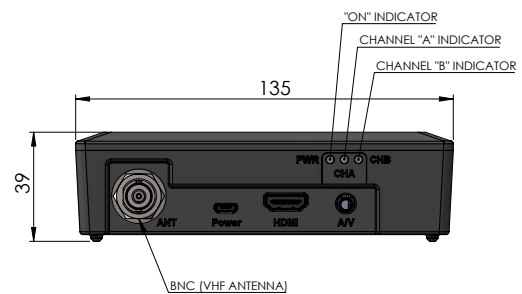
PHYSICAL	
Weight:	450g
Dimensions:	L 135 mm W 80 mm D 39 mm
Mounting:	To flat surface; 2 holes in case bottom
Connections:	Micro USB (Power); RJ45 Ethernet 10 / 100 Base-T; 4x USB 2.0 type B socket; BNC Coaxial to antenna; TNC Coaxial to GPS antenna; Micro-SD card slot
Construction:	Plastic housing
Finish:	Black plastic, textured

ELECTRICAL	
Power Supply:	5 V dc; 900 – 1200 mA typical
Antenna Impedance:	50 Ω
USB power:	100 mA each port (max)

OPERATIONAL	
Frequency	AIS : Channel A 161.975 MHz AIS : Channel B 162.025 MHz GPS: 1575.42MHz
Sensitivity:	< -112 dBm
Microcomputer:	Raspberry Pi™ 3 (1.2 GHz 64bit quad-core ARM v8 CPU)
WiFi:	802.11n
Display:	3 Indicator LEDs (Ch A; Ch B; Power ON)
Data Types Received:	AIS: Name of Vessel; MMSI Number; Position; Speed (SOG); Course (COG); Type of Vessel; Call Sign; Heading; Rate of Turn; Navigational Status; Vessel Dimensions; Destination and others GPS: Standard - GPRMC GPGGA GPGSA GPGSV Optional - PGRME GPGLL GPVTG PGRMV PGRMF PGRMB PGRMM PGRMT

ENVIRONMENTAL	
IP Rating:	IP40
Operating temp:	-15°C to +55°C
Compass:	Safe Distance 50 cm

ADDITIONAL	
Supplied:	R500NGi receiver (without software)
Option 1:	R500NGi receiver with bespoke data management software



Copyright © 2020 Comar Systems Ltd. - R500NGi Datasheet v06r04

Vittlefields Technology Centre, Forest Road, Newport, Isle of Wight, United Kingdom. PO304LY
Comar Systems Ltd. reserves the right to make changes to its products and specifications without prior notice.